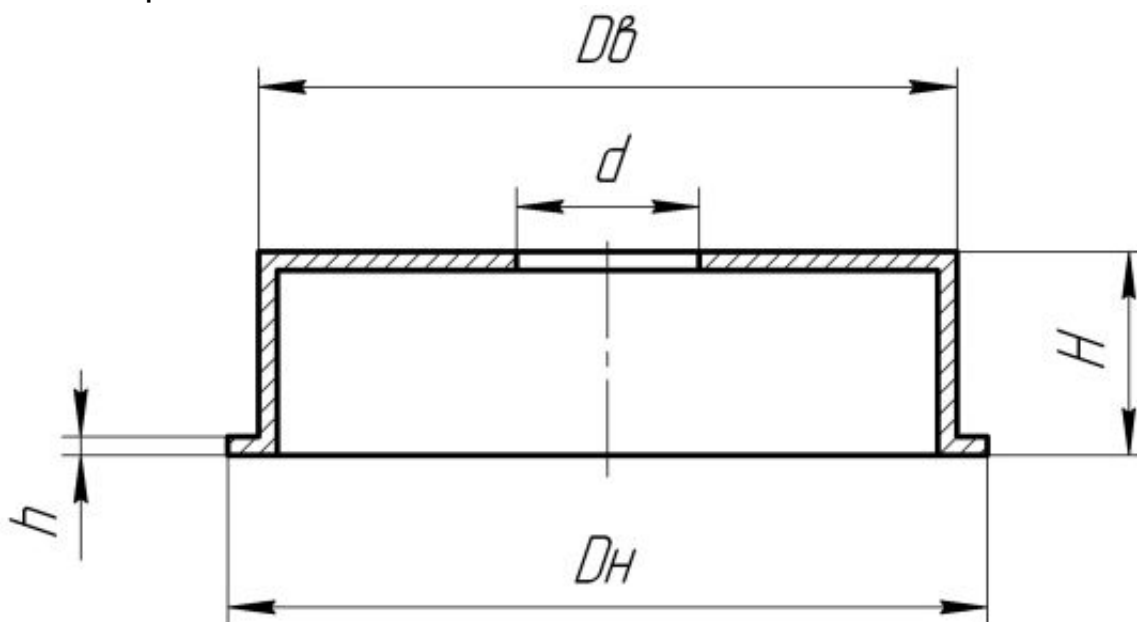


Тепловой экран



№	Наименование товара	A,mm	B,mm	C,mm	D,mm	E,mm
1	AM.TB25-1	80.5	17.5	60.0	10.0	1.0
2	AM.TB25-2	67.5	17.5	55.0	8.8	1.0
3	AM.TB25-5	67.6	17.7	53.1	9.1	1.0
4	AM.T3	80.5	19.4	59.0	20.2	1.0
5	AM.TB34	80.5	19.4	65.2	20.6	1.0
6	AM.TBP4	80.5	19.4	74.0	20.6	1.0
7	AM.TA45	95.0	22.8	82.0	31.0	1.0
8	AM.GT15-2	45.0	20.5	40.0	2.4	0.6
9	AM.GT17-VNT	49.0	19.4	49.0	1.9	0.8
10	AM.GT25 - VNT	57.0	19.3	57.0	2.2	1.2
11	AM.GT15 - 1	67.6	18.5	45.0	9.0	1.0
12	AM.GT20-1	67.6	18.5	45.0	9.5	1.0
13	AM.GT20	60.7	18.5	47.0	6.7	1.0
14	AM.GT22	67.6	18.5	48.3	12.6	1.0
15	AM.GT25	67.6	18.9	52.0	9.0	1.0
16	AM.GT42/GT45	95.0	25.0	88.5	31.3	1.1
17	AM.GT15 - VNT	46.2	19.4	46.2	2.4	0.8
18	AM.GT15 - 4	51.0	19.7	46.0	1.7	0.7
19	AM.G24	55.1	25.2	39.0	4.6	1.0
20	AM.K03/K04-1	61.7	15.5	45.7	7.5	1.0
21	AM.K03/K04 - 2	61.7	15.5	50.3	7.5	1.0
22	AM.K16	66.6	15.5	54.0	14.6	1.0
23	AM.K24	74.5	20.6	64.0	16.0	1.0
24	AM.K27 - 5	81.5	21.0	68.0	22.2	1.0
25	AM.K27 - 6	81.5	21.0	68.0	20.0	1.0
26	AM.K27 - 4	87.5	21.0	74.0	22.8	1.0
27	AM.K27 - 12	99.5	20.8	80.0	20.0	1.0
28	AM.K27 - 13	99.5	20.8	80.0	22.8	1.0
29	AM.KP35	50.0	15.0	33.0	5.0	1.0
30	AM.KP39/BV39	43.0	19.2	43.0	2.5	0.8
31	AM.S2	82.2	21.0	75.0	23.2	1.5
32	AM.S3A/S3B	94.4	30.5	86.0	27.2	1.5
33	AM.S400/S410	93.8	28.5	85.0	27.1	1.5
34	AM.S300	87.6	24.0	79.0	23.6	1.5
35	AM.S1	66.2	17.1	58.0	11.1	1.0

36	AM.H1/HX40	81.4	21.0	73.0	18.0	1.0
37	AM.HX50/HX55/ H2	91.8	24.0	83.0	19.2	1.0
38	AM.TD04/TF035 -1	54.0	21.0	47.0	5.0	1.0
39	AM.TD04 - 2	57.3	21.4	50.0	13.5	1.0
40	AM.TD04 - 3	54.0	24.5	47.0	8.0	1.0
41	AM.TD02/TF025	43.0	20.0	35.0	4.5	1.0
42	AM.TF035-VNT	47.5	21.8	42.5	3.6	1.0
43	AM.C14	66.8	15.5	60.0	12.5	1.0
44	AM.K29/K31	87.3	20.8	79.5	22.8	1.0
45	AM.GT1549P	77.0	n/a	68.3	9.3	1.3
46	AM.K04-1	50.2	18.6	40.8	5.1	0.8
47	AM.K04-2	51.9	18.5	50.6	5.8	1.0
48	AM.K03/K04 - 3	50.2	18.5	46.5	4.6	0.8
49	AM.K04-3	50.2	18.5	46.5	4.6	0.8
50	AM.TD04-VNT	52.9	46.7	21.9	3.4	1.0
51	AM.K14	61.8	15.6	51.0	15.0	1.0
52	AM.GTA45V	94.4	39.1	58.0	4.0	1.0
53	AM.GT14	n/a	n/a	n/a	n/a	n/a
54	AM.GTB22	n/a	n/a	n/a	n/a	n/a
55	AM.GTC12	n/a	n/a	n/a	n/a	n/a
56	AM.TB02	n/a	n/a	n/a	n/a	n/a
57	AM.GT1544Z	n/a	n/a	n/a	n/a	n/a
58	AM.GT12/GT14	n/a	n/a	n/a	n/a	n/a
59	AM.GT17-1	n/a	n/a	n/a	n/a	n/a
60	AM.TB02-1	n/a	n/a	n/a	n/a	n/a
61	AM.BV50	n/a	n/a	n/a	n/a	n/a
62	AM.BV43	n/a	n/a	n/a	n/a	n/a
63	AM.KP39-R2S	n/a	n/a	n/a	n/a	n/a
64	AM.KP39/BV39- 1	n/a	n/a	n/a	n/a	n/a
65	AM.KP39/BV39- 2	n/a	n/a	n/a	n/a	n/a